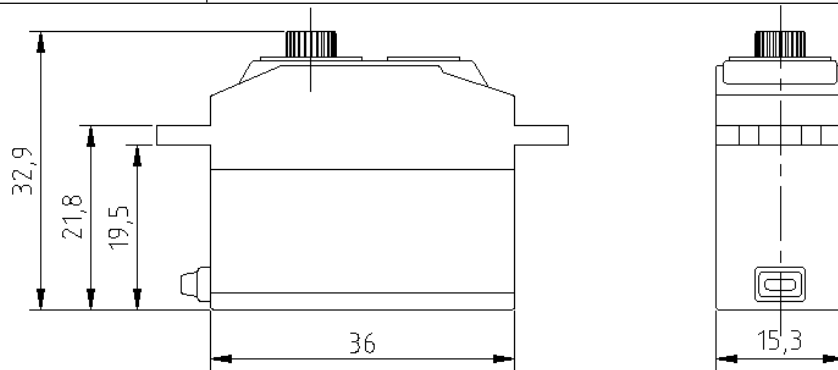


GS-D9650

Control System	Positive PWM control 1500 usec Neutral	
Operation Voltage Range	4.8V ~ 6.0V	
Operation Temperature Range	-20C°~ +60C°	
Test Voltage:	At 4.8V	At 6.0V
Standing Torque	2.0kg.cm	2.3kg.cm
Speed	0.10 sec / 60 deg at no load	0.08 sec / 60 deg at no load
Idle Current	180mA at stopped	240mA at stopped
Running Current	1400mA at no load	1600mA at no load
Dead band width	3 usec	3 usec
Circle	15000 times	
Operation Travel	60° ± 10°	
Direction	Re-clock wise/ Pulse Travel 1500 to 1900 usec	
Drive type	FET drive	
Motor Type	Coreless motor	
Potentiometer Type	Indirect drive	
Amplifier Type	Digital Control	
Dimensions	36.0*15.3*21.8 mm	
Weight:	25g without splined horn	
Ball Bearing	Double ball bearing	
Gear Material	POM	
Case Material	Nylon plus fiber	
Connector Wire Length	300mm	
Connector Wire Gauge	26AWG heavy duty (JR Universal)	
Wire Info (Brown)	Negative	
Wire Info (Red)	Positive	
Wire Info (Orange)	S Single	



规格
 尺寸: 长 36mm
 宽 15.3mm
 高 21.8mm
 重量: 25g



GS-D9650

